



Secur-Pull Adjustable Seal

Tyden Brammall of Scandinavia
Fragtsikkerheds Eksperten
Stolpegårdsvej 7
DK 2820 Gentofte
www.tyden.dk / www.forsegling.eu / www.sealit.dk / www.fragtsikkerhedseksperten.dk

+45 39 68 26 34
+45 24 21 34 40
tyden@tyden.dk

The UK Secur-Pull 2.0 is an adjustable length plastic strap seal for use in a variety of application, particularly those with a small aperture (min 2mm)

Applications

Tote boxes	Mini bars/drinks
ATM Cassettes	Vending machines
Bags & pouches	Measuring devices
Fibre drums	Doors and hatches
In-bond shipments	Tanks & tank trucks

Features

- Suitable for a wide range of applications.
- New tail tidy holes on the 2mm and the 3.8mm versions
- The 2mm (0.08") dia tail fits small sealing apertures.
- Integral metal clip provides a high level of security.
- Easy to pull-up. Ten seals per matt format.
- Specially designed clip mechanism for ease of use and added security.
- Optional tear away feature available.

Materials

Polypropylene & steel
Special material on request

Strength Characteristics

Average pull apart force - 35lbs (16Kg).

Operational length

Short length version 215mm.
Long Length version 342mm

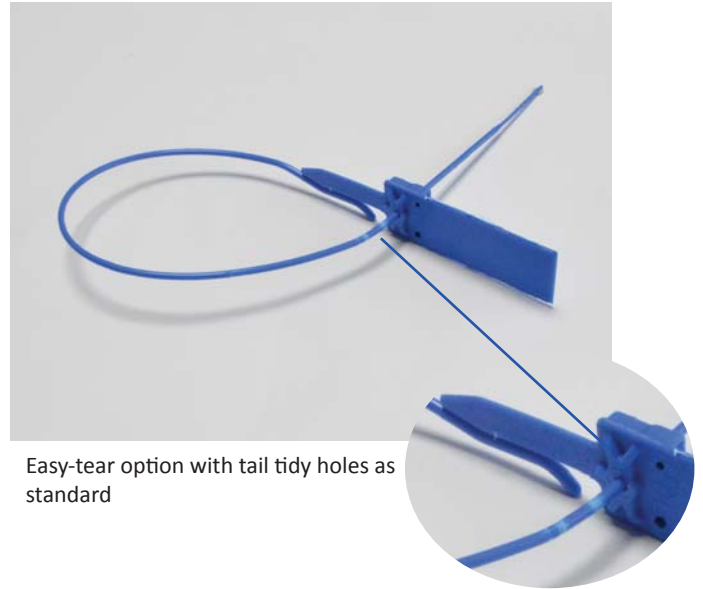
Marking/print

Heat stamped with name / logo and sequentially numbered (7 digits).
Barcoded vinyl labels or thermal transfer.
Interleaved 2 of 5, Code 39, Code 128.

Colours



Preferred colours Red / Yellow / White / Dark Blue / Dark Green



Easy-tear option with tail tidy holes as standard



Secure-Pull 2.0 Adjustable Seal

Tyden Brammall of Scandinavia
Fragtsikkerheds Eksperten
Stolpegårdsvej 7
DK 2820 Gentofte
www.tyden.dk / www.forsegling.eu / www.sealit.dk

+45 39 68 26 34
+45 24 21 34 40
tyden@tyden.dk

The UK Secure-Pull 2.0 is an adjustable length plastic strap seal for use in a variety of application, particularly those with a small aperture (min 2mm).

Product part numbers

The 215mm Operational length

6581107-xx. Heat stamped
6581207-xx. Barcoded
6582107-xx. Heat stamped with tear-away.

The 342mm Operational length

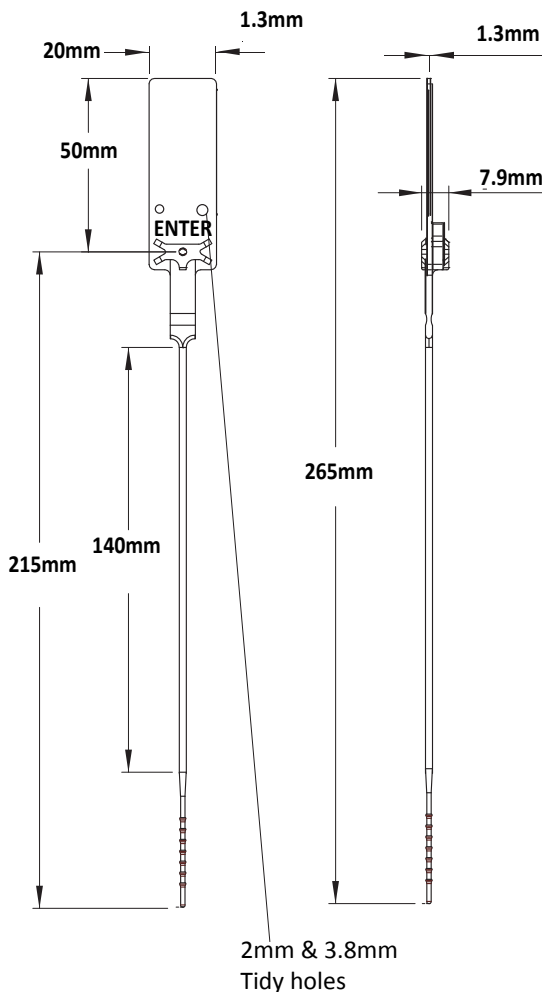
6585112-xx. Heat stamped
6586112-xx. Heat stamped with tear-away.

Packaging

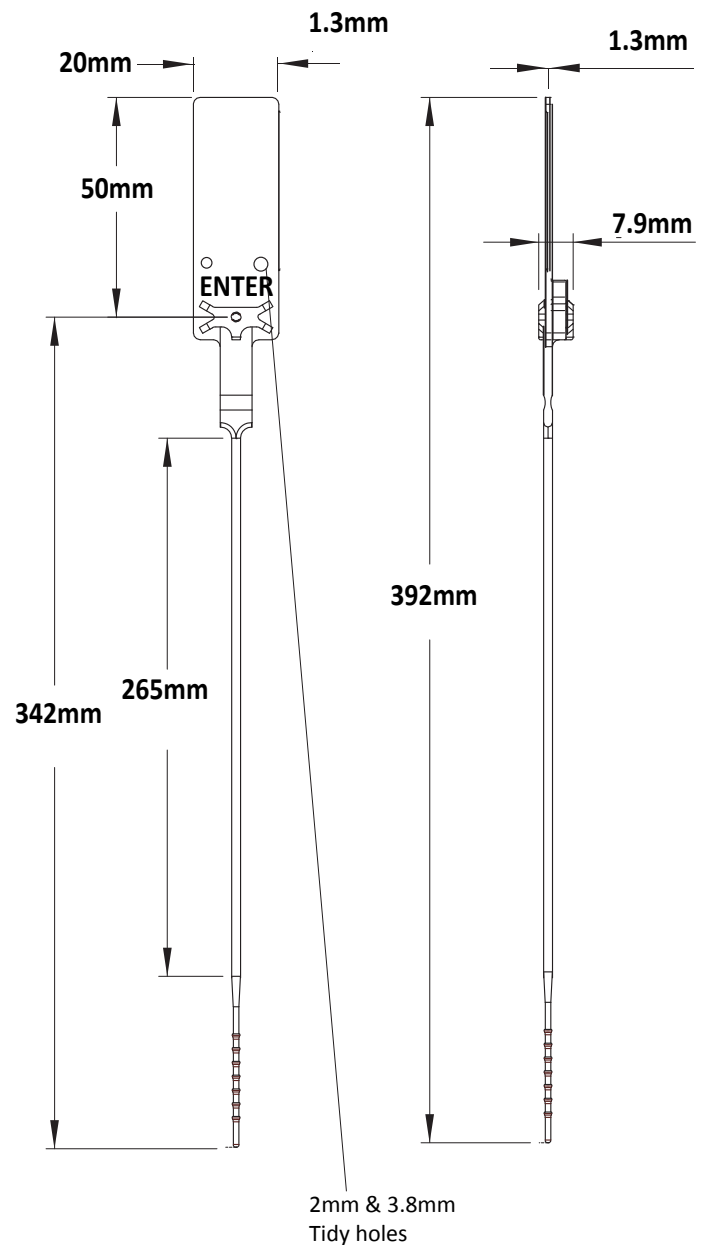
Standard packing mats of 10 seals in boxes of 1,000.
215mm Short length- Carton sizes 556mm x 218mm x 180mm
Carton (1,000 seals) weight 3Kgs

342mm Long length- Carton sizes 556mm x 218mm x 180mm
Carton (1,000 seals) weight 3.25Kgs

Short length
215mm (OL) x 2mm Ø Tail



Long length
342mm (OL) x 2mm Ø Tail



Drawings not to scale

Secure-Pull Adjustable Seal

