



Enviro NL-1 Padlock Seal



The Enviro NL-1 Padlock Seal was designed as a replacement for lead seals. Designed for and tested by the U.S. Government, the Padlock Seal NL-1 is the most secure padlock seal available.

APPLICATIONS

- Electric/Gas/Water Meters
- Bulk Tanker Valves/Hatches
- Storage Devices
- Ammunition Boxes
- Drum-Ring Closures

FEATURES

- Polycarbonate & stainless steel construction designed to last more than 20 yrs.
- Flexible wire, available in almost any length, molded directly into the seal for greater security.
- Contrasting locking mechanism and clear body show immediate evidence of tampering.
- Individually numbered and stamped with company name and logo.

MATERIAL

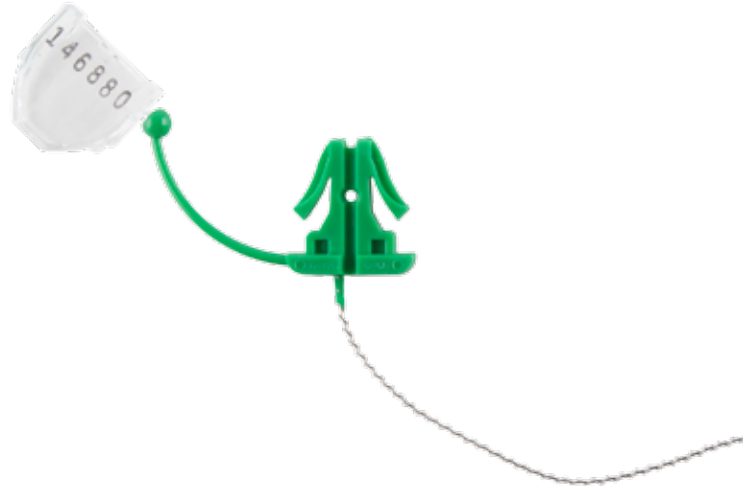
- Seal: Polycarbonate Plastic
- Wire: Stainless Steel or Galvanized

DIMENSIONS

Wires 6"-24" in 2" increments

MARKING/PRINTING

- Numbering: 7 digits
- Logo: 1/2" diameter



Seals shown not actual size.



Enviro NL-1 Padlock Seal



STANDARD COLORS

Yellow / Red / Orange / Light Blue / Blue / Dark Blue /
White / Green / Black



PACKAGING

(Based on a 6" seal)

100 per bag

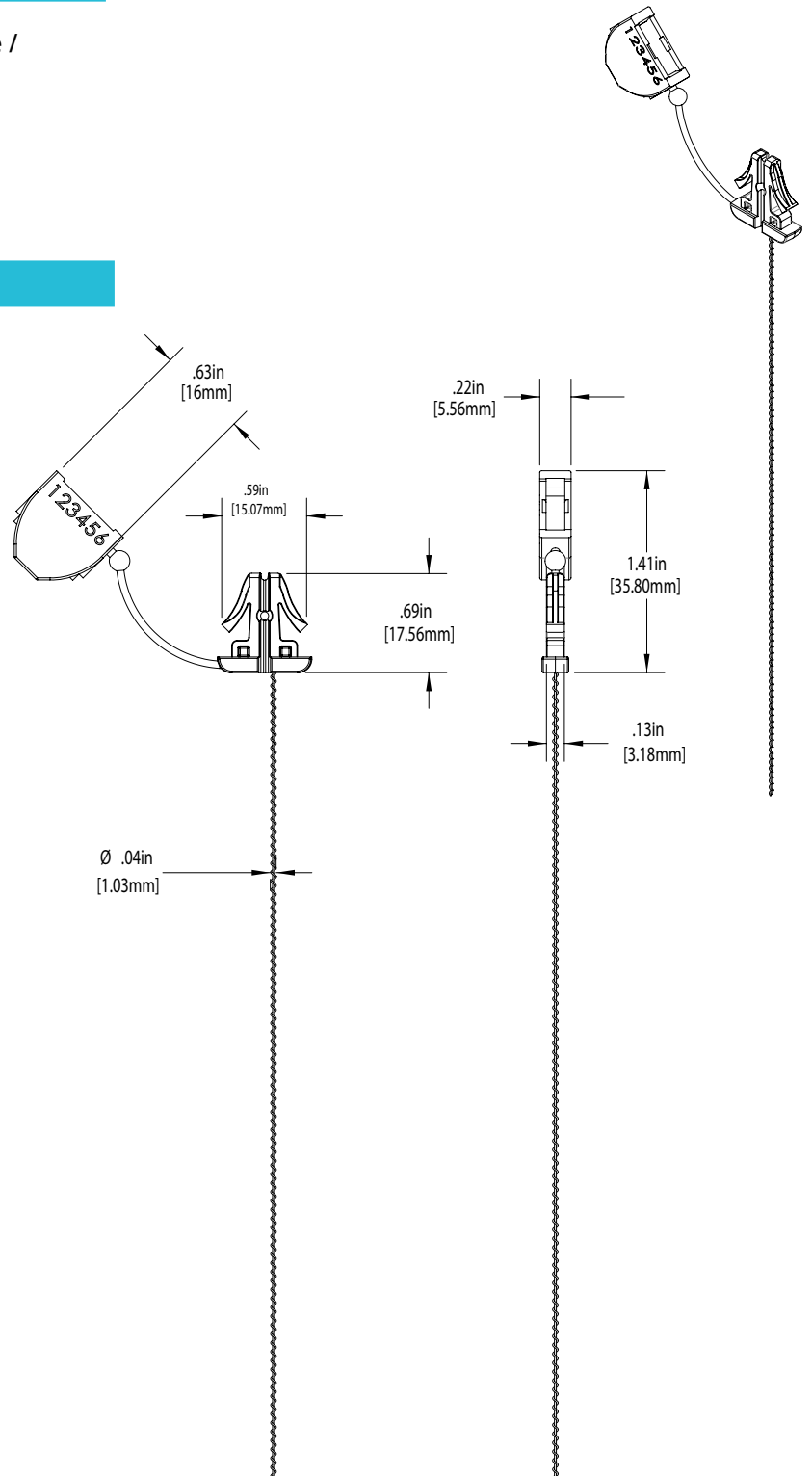
1,000 per carton

Gross Weight:

6 lbs. per thousand

Box Dimensions:

14-1/2" x 7-1/2" x 6-1/2"



Enviro NL-1 Padlock Seal_11V2



Tyden Brammall of Scandinavia - Fragsikkerheds Eksperten
Stolpegårdsvej 7
DK 2820 Gentofte

www.tyden.dk / www.forsegling.eu / www.sealit.dk / www.fragsikkerhedseksperten.dk

+45 39 68 26 34
+45 24 21 34 40
tyden@tyden.dk

